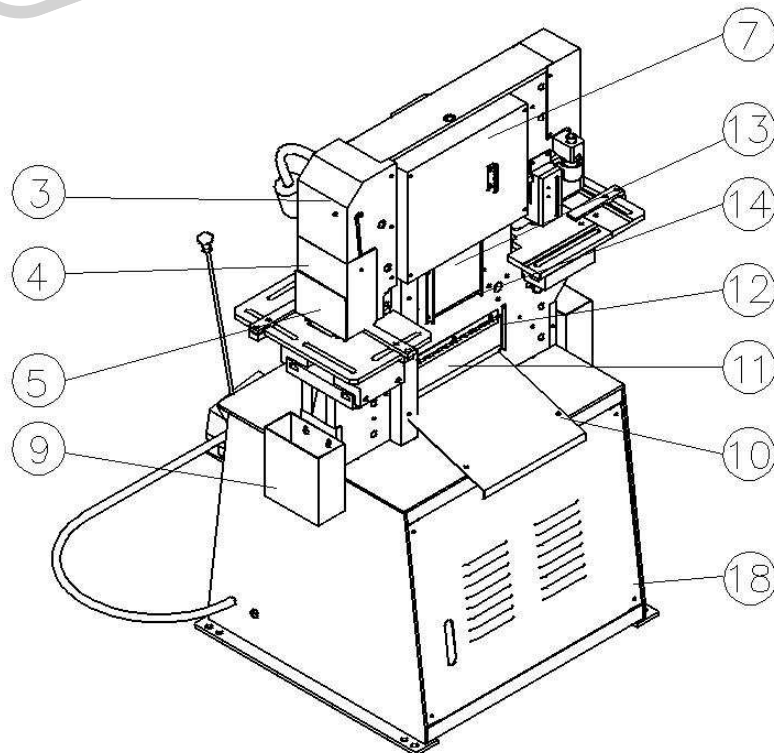
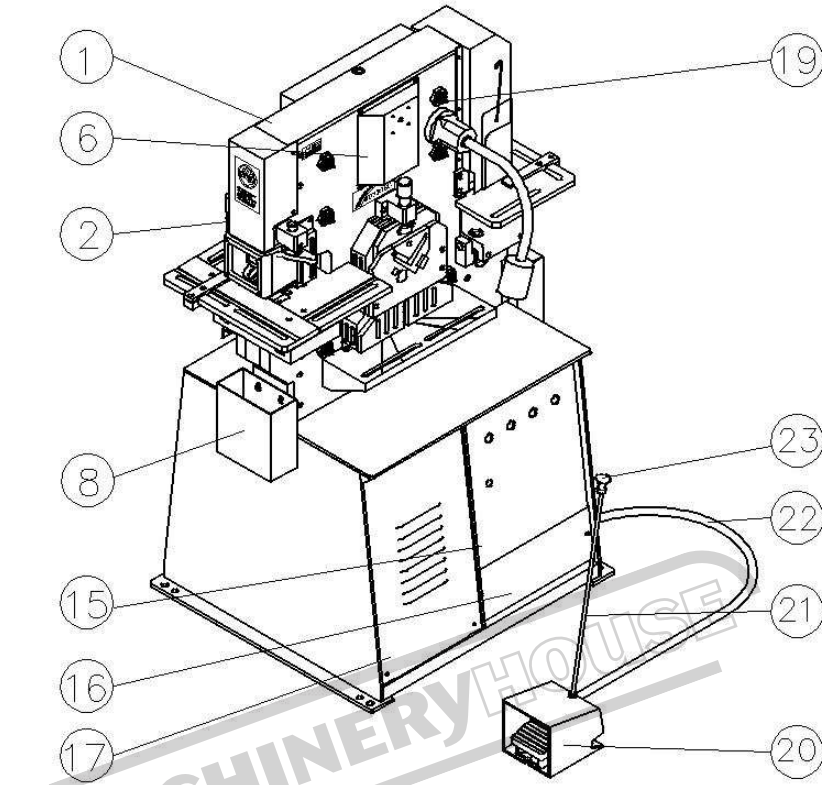


IW-45K

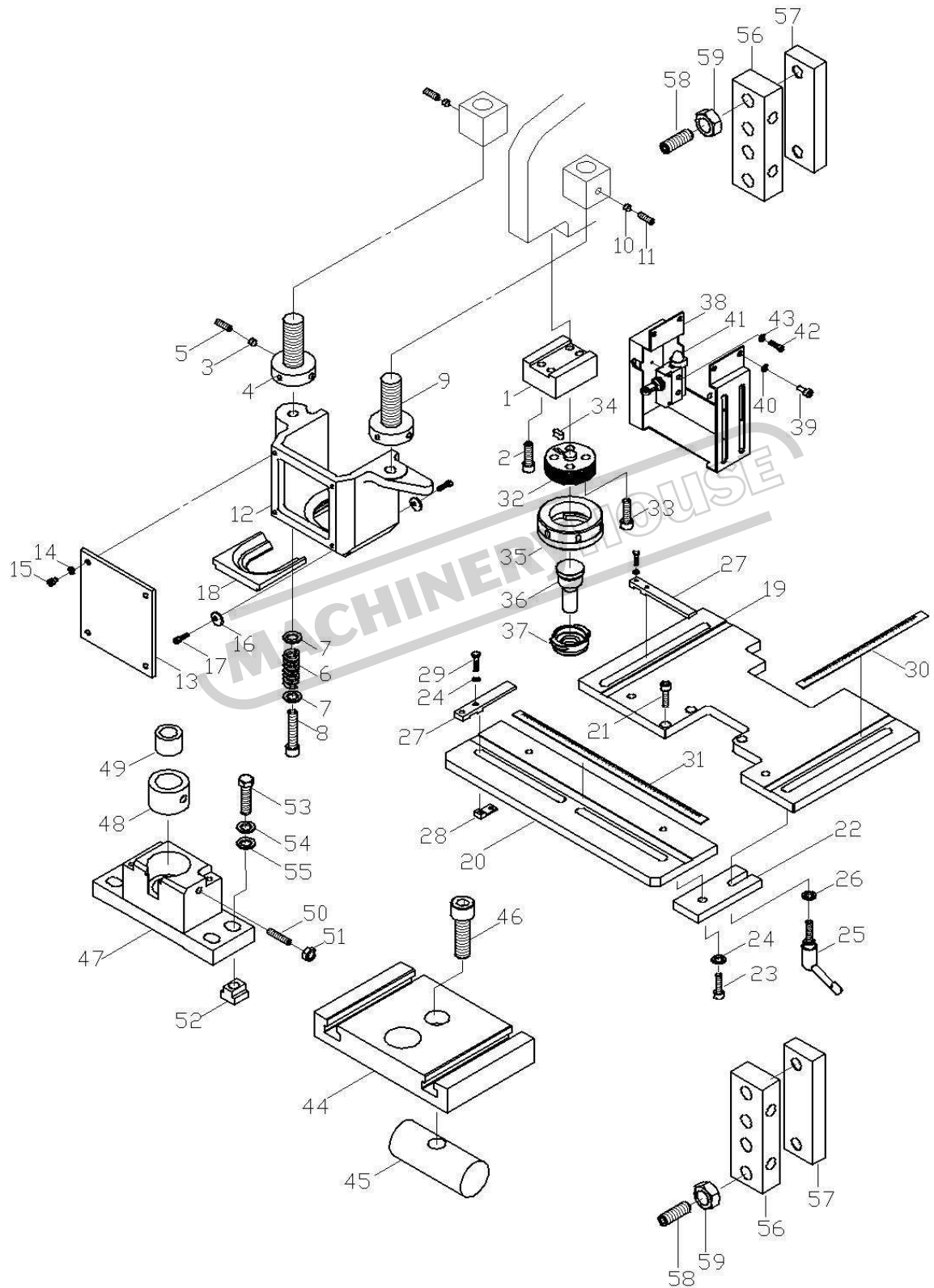


Sunrise Ironworker Parts List

Model: **IW-45K**Part: **Cover Plates**Date: 02/2012

Item	Part Number	Description	產品名稱	Q'ty	Memo
1	211602011D	Top Cover	上護蓋	1	
2	211602015C	Punching Station Cover	沖孔護蓋	1	
3	211602050B	Notching Station Cover	剪角側安全護蓋	1	
4	211602051C	Safety Guard for Notching	剪角安全護板	1	
5	42STBH003	Notching Clear Cover	剝料器安全護板	1	
6	211602018D	Front Cylinder Cover	油壓缸前護蓋	1	
7	211602041C	Cylinder Cover	油壓缸護蓋	1	
8	211302022	Scrap Box for Notching	剪角鐵屑盒	1	
9	211302022	Scrap Box for Notching	剪角鐵屑盒	1	
10	211602004	Flat Bar Shear Back Plate	滑料片	1	
11	211602005	Safety Guard for Flat Shear	剪平板護板	1	
12	211602021A	Side Safety Guard for Flat Shear	剪平板角板	1	
13	211602006	Safety Guard for Bar and Angle Shear	圓方角鐵剪切護板	1	
14	211602020	Side Safety Guard for Bar and Angle Shear	圓方角鐵角板	1	
15	212902902	212902052A 212902056 211602003B 52414APL93902	Electrical Box	電氣箱總成	1
16	211602022	Front Base Cover	電氣箱底座護蓋	1	
17	211602008A	Front Base Cover	底座前蓋	1	
18	211602009A	Rear Base Cover	底座後蓋	1	
19	211310007D 211310008B	Adjust Pushing Screw Adjust Pushing Nut	壓塊固定螺絲 壓塊固定螺帽	6	
20	52413YC135D	Foot Switch YC-135D(CE)	腳踏開關	1	
21	213210008	Foot Switch Handle	腳踏開關提桿	1	
22	56320G0061400A	Foot Switch Cable 3/8"X1400	電線保護管 1400mm	1	
23	56314118036M10	Waist Shaped Knobs 1180-36-M10	凹槽式旋鈕	1	

IW-45K Punching Station



Sunrise Ironworker Parts List

Model: IW-45K
Part: Punching Station

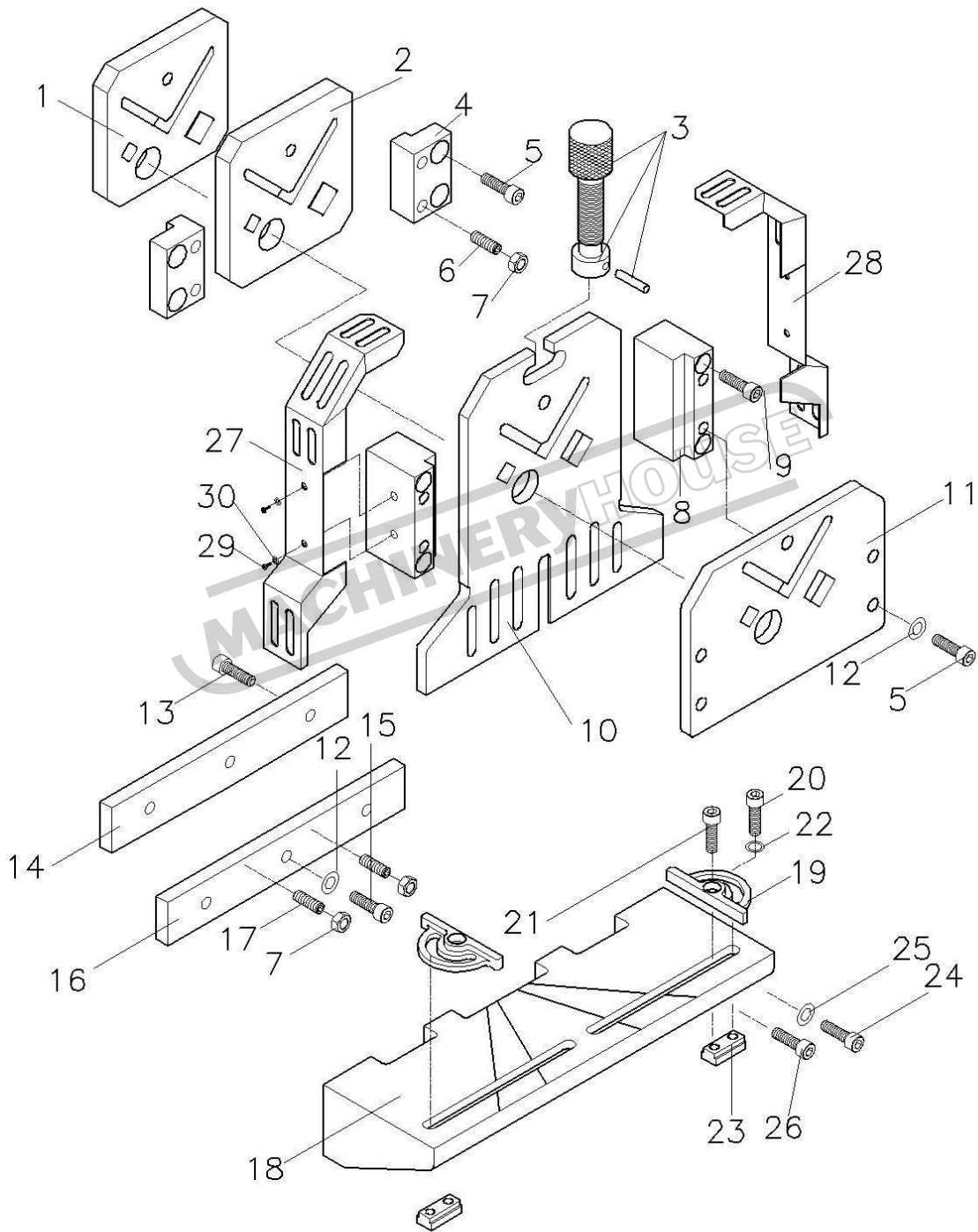
 Date: 02/2012

Item	Part Number	Description	產品名稱	Q'ty	Memo
1	211605010	Retaining Thread Support	螺紋固定塊	1	
2	56301A0008035	Hex Bolt M8X35	六角承窩頭螺栓	4	
3	211305090	212211009	Copper Piece	銅墊	1
4		211305005B	Stripper Adj. Screw (2)	剝料器調整螺桿(二)	1
5		56301C0006010	Set Screw M6X10	止付內六角螺栓	1
6		211305006	Stripper Spring	沖孔剝料器彈簧	1
7		56303D00012024045	Flat Washer M12	平墊圈	2
8		56301A0012090	Hex Bolt M12X90	六角承窩頭螺栓	1
9		211305004B	Stripper Adj. Screw (1)	剝料器調整螺桿(一)	1
10	213205010	Copper Piece	銅墊	2	
11	56301C0010012	Set Screw M10X12	止付內六角螺栓	2	
12	42STMD	42STMC003B	Stripper	沖孔剝料器	1
13		42STMC002	Stripper Clear Cover	剝料器護板	1
14		56303A00005	Spring Washer M5	彈簧墊圈	4
15		56301A0005012	Hex Bolt M5X12	六角承窩頭螺栓	4
16		42STBC004	Washer	墊片	2
17		56301I0005008	Cap Screw M5X8	半圓內六孔	2
18		42STBC003A-20 42STBC003A-42	Stripper Exchangeable Plate	剝料器底板	1
19		211605100	211605002D	Punching Table A (Main)	沖孔工作板(A)
20	211605004C		Punching Table B (Front)	沖孔工作板(B)	1
21	56301A0008016		Hex Bolt M8X16	六角承窩頭螺栓	3
22	211305009B		Table Connecting Plate	工作板連結塊	2
23	56301A0010025		Hex Bolt M10X25	六角承窩頭螺栓	2
24	56303A00010		Spring Washer M10	彈簧墊圈	6
25	56315404163M1025		Clamp Handle M10X25	萬向把手	2
26	56303B11012025		Flat Washer M10	平墊圈	2
27	211605008A		Sizing Stopper Plate	工作板定位塊	2
28	211605009A		Clamping Plate	定位板固定滑塊	2
29	56301A4010040		Hex Bolt M10X40	六角承窩頭螺栓	4
30	211605013A		Punching Stopper Guide Ruler	沖孔工作板 Y 軸標尺	2
31	211605011A		Punching Table Ruler	沖孔工作板 X 軸標尺	1

Model: **IW-45K**Part: **Punching Station**Date: 02/2012

Item	Part Number	Description	產品名稱	Q'ty	Memo
32	42RTAQA	Retaining Thread	螺紋塊	1	
33	56301A0010025	Hex Bolt M10X25	六角承窩螺栓	4	
34	56305D00606018	Locating Key	雙頭圓鍵	1	
35	42RNAQA	Retaining Nut	沖頭鎖緊螺帽	1	
36	41RP1	Punch	圓孔上模	1	
37	42RSAQ30B 42RSAQM40B	Quick Change Sleeve	快拆上模套環	1	
38	211602044A	Stripper Rear Guard	沖孔防護蓋	1	
39	56301A0005012	Hex Bolt M5X12	六角承窩螺栓	4	
40	56303A00005	Spring Washer M5	彈簧墊圈	4	
41	52411TZ7312	Limit Switch	微動開關	1	
42	56301A0004025	Hex Bolt M4X25	六角承窩頭螺栓	2	
43	56303B10005010	Flat Washer M4	平墊圈	2	
44	211601006B	Mounting Table	沖孔座固定板	1	
45	211601005A	Clamping Shaft	剪角座固定軸	1	
46	56301A0020065	Hex Bolt M20X65	六角承窩螺栓	1	
47	43A2SMB	Die Holder	單孔下模座	1	
48	43BS1C	Die Bushing	下模襯套	1	
49	41RD1	Die	圓孔下模	1	
50	56301C7010045	Set Screw M10X45	止付內六角螺栓	1	
51	56302B0110	Nut M10	螺帽	1	
52	211305011	T-Shaped Nut M16	T型螺帽	4	
53	56301A0016050	Bolt M16X50	六角頭螺栓	4	
54	56303A00016	Spring Washer M16	彈簧墊圈	4	
55	56303D00016032045	Flat Washer M16	平墊圈	4	
56	211601013	Adjust Plate	滑塊調整座	2	
57	211601009A	Guide Plate	調整滑塊	2	
58	211610003	Adjust Screw	調整螺絲	8	
59	56302B0120	Nut M20	螺帽	8	

IW-45K Shear Station



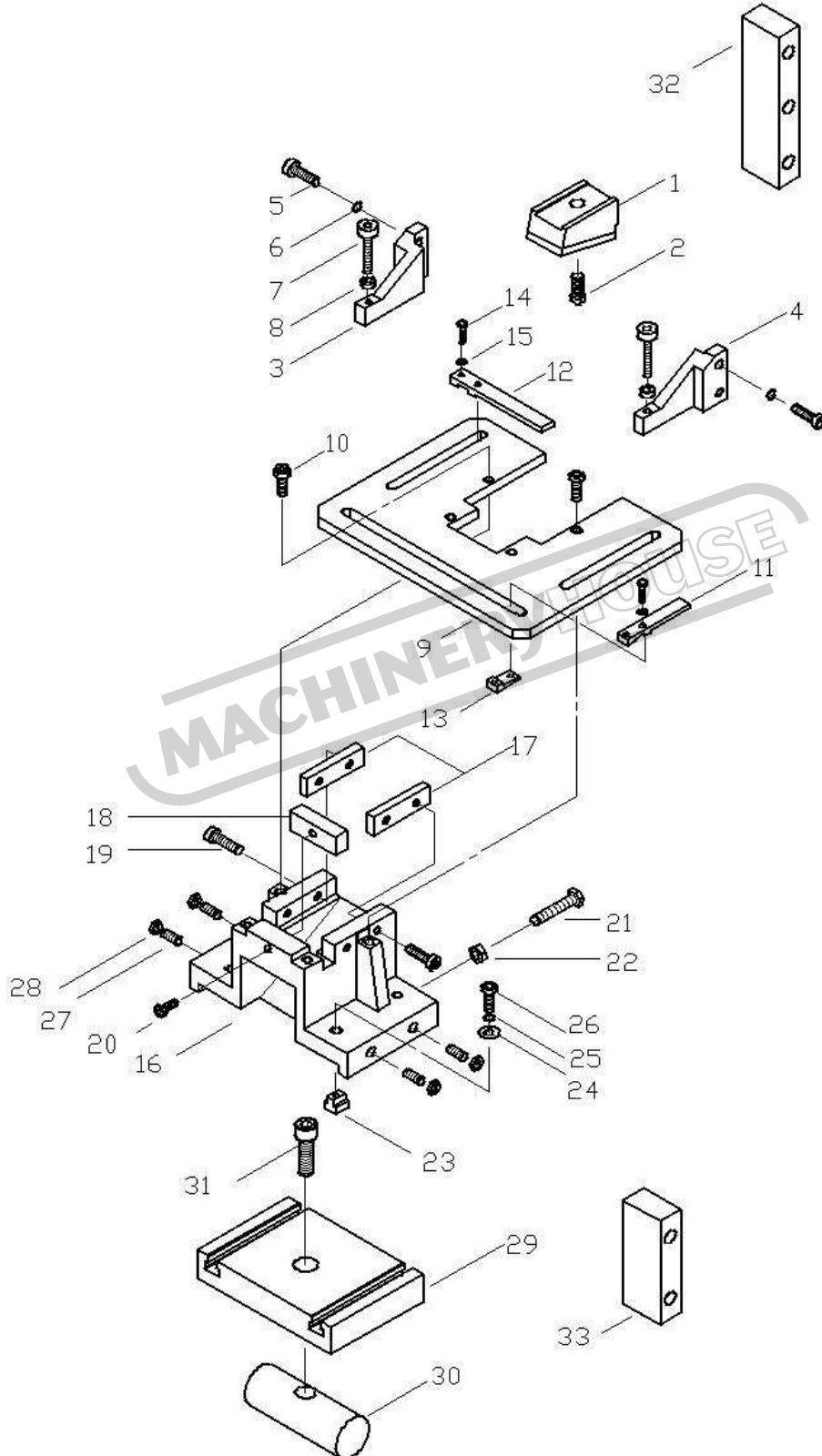
Sunrise Ironworker Parts List

Model: IW-45K
Part: Shear Station

 Date: 02/2012

Item	Part Number	Description	產品名稱	Q'ty	Memo	
1	211609001	Angle, Rd/Sq Bar Shear Moving Blade	圓方刀具(活動)	1		
2	211609002	Angle, Rd/Sq Bar Shear Stationary Blade	圓方刀具(固定)	1		
3	211610900	211610001A	Shear Holddown Screw	1		
		211310011	Holddown Screw End Piece			調整螺桿拉塊
		56306S0060030	Spring Pin Ø6X30			彈簧銷
4	211309004	Rd/Sq Bar Shear Blade Fix Plate	圓方刀具固定塊	2		
5	56301A0012020	Hex Bolt M12X20	六角承窩頭螺栓	8		
6	56301C8010040	Set Screw M10X40	止付內六角螺栓	4		
7	56302B0110	Nut M10	螺帽	12		
8	211601010A	Holddown Guide Block	壓板移動座	2		
9	56301A0012060	Hex Bolt M12X60	六角承窩頭螺栓	4		
10	211608003A	Shear Holddown (M)	平板壓板(活動)	1		
11	211608005A	Shear Holddown (S)	平板壓板(固定)	1		
12	56303A00012	Spring Washer M12	彈簧墊圈	7		
13	56301A0012035	Hex Bolt M12X35	六角承窩頭螺栓	3		
14	211608001B	Flat Shear Upper Blade	平板刀具(活動)	1		
15	56301A0012040	Hex Bolt M12X40	六角承窩頭螺栓	3		
16	211608002A	Flat Shear Lower Blade	平板刀具(固定)	1		
17	56301C0010025	Set Screw M10X25	止付內六角螺栓	4		
18	211608004B	Flat Shear Table	平板支持座	1		
19	211308005A	Flat Shear Stopper	平板固定塊	2		
20	56301A0010025	Hex Bolt M10X25	六角承窩頭螺栓	2		
21	56301A0010030	Hex Bolt M10X30	六角承窩頭螺栓	2		
22	56303B11012025	Flat Washer M10	平墊圈	2		
23	211308006A	T-Shaped Nut	平板固定塊螺帽	2		
24	56301A0012040	Hex Bolt M12X40	六角承窩頭螺栓	4		
25	56303A00012	Spring Washer M12	彈簧墊圈	4		
26	56301A0012020	Hex Bolt M12X20	六角承窩頭螺栓	2		
27	211602042	Safety Guard For Shear Holddown(Left)	壓板左護蓋	1		
28	211602043	Safety Guard For Shear Holddown(Right)	壓板右護蓋	1		
29	56301A0005012	Hex Bolt M5X12	六角承窩頭螺栓	4		
30	56303A00005	Spring Washer M5	彈簧墊圈	4		

IW-45K Notching Station Assembly



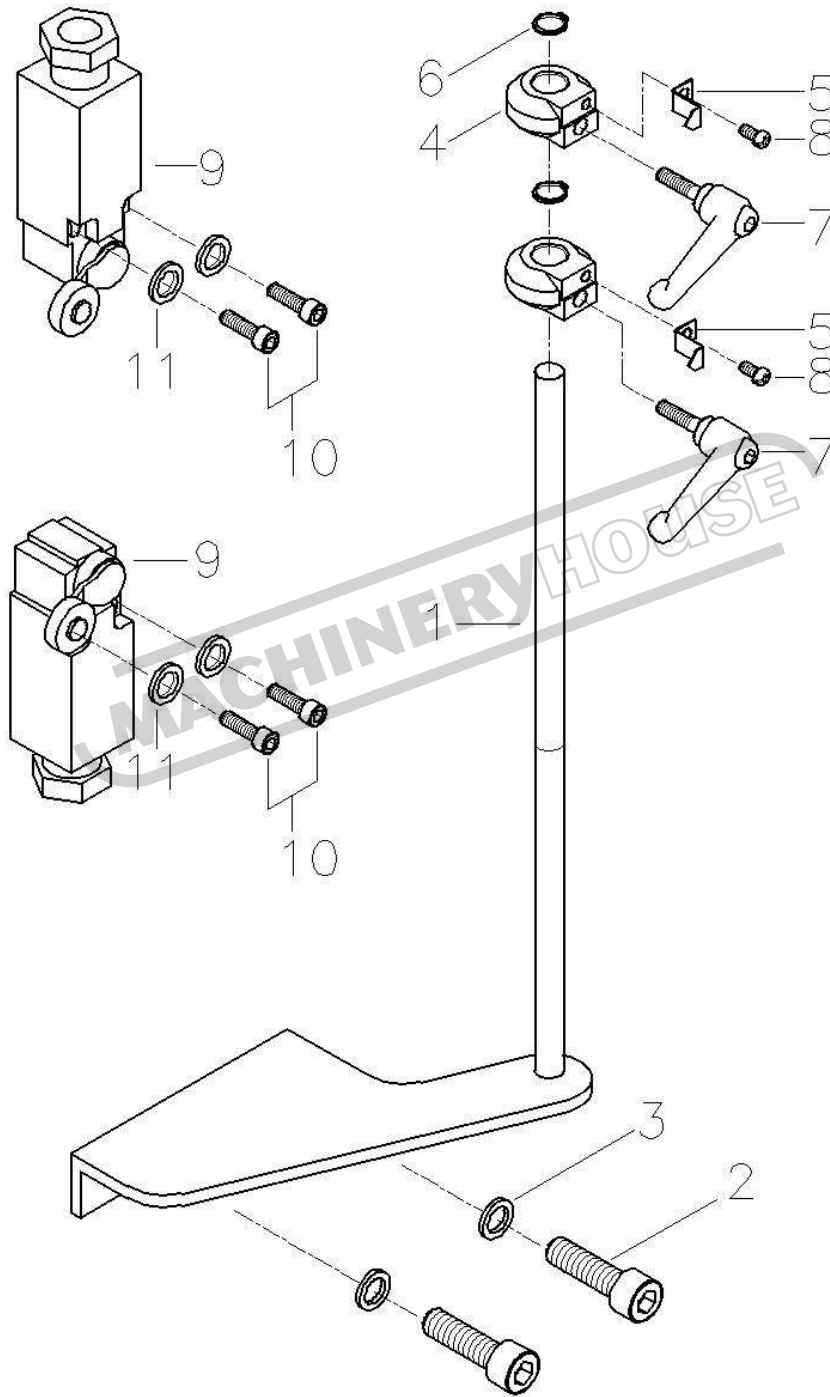
Sunrise Ironworker Parts List

Model: IW-45K
Part: Notching Station

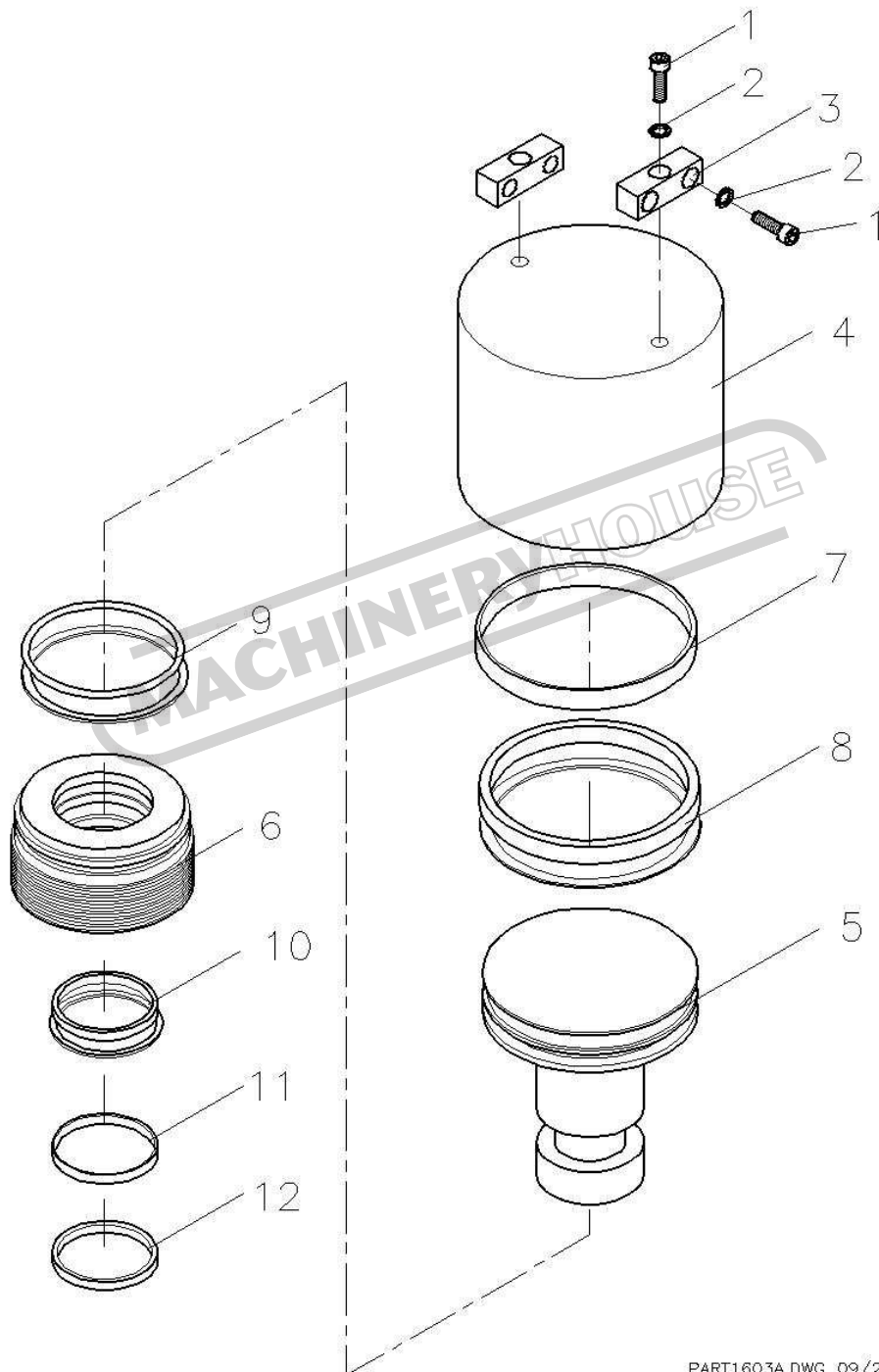
 Date: 02/2012

Item	Part No	Description	產品名稱	Q'ty	Memo
1	212906001	Notcher Top Blade	方形剪角上刀	1	
2	56301A0016025	Hex Bolt M16X25	六角承窩頭螺栓	1	
3	211306004A	Notching Stripper (left)	剪角剝料器(左)	1	
4	211306005A	Notching Stripper (right)	剪角剝料器(右)	1	
5	56301A0012030	Hex Bolt M12X30	六角承窩頭螺栓	4	
6	56303A00012	Spring Washer M12	彈簧墊圈	4	
7	56301A0008050	Hex Bolt M8X50	六角承窩頭螺栓	2	
8	56302B0108	Hex Nut M8	六角螺帽	2	
9	211606003A	Notching Table	剪角工作板	1	
10	56301A0008016	Hex Bolt M8X16	六角承窩頭螺栓	4	
11	211605008A	Stopper Plate (short)	工作板定位塊(短)	1	
12	211606007	Stopper Plate (long)	工作板定位塊(長)	1	
13	211605009A	Clamping Plate	定位板固定滑塊	2	
14	56301A0010040	Hex Bolt M10X40	六角承窩頭螺栓	4	
15	56303A00010	Spring Washer M10	彈簧墊圈	4	
16	211306008D	Notching Bolster	方型剪角下模座	1	
17	211306002F	Notcher Side Blades	方型剪角側刀	2	
18	211306003C	Notcher Front Blades	方型剪角前刀	1	
19	56301A0010020	Hex Bolt M10X20	六角承窩頭螺栓	4	
20	56301A0010035	Hex Bolt M10X35	六角承窩頭螺栓	1	
21	56301A0012040	Hex Bolt M12X40	六角承窩頭螺栓	2	
22	56302B0112	Nut M12	六角螺帽	2	
23	211305012	T-Shaped Nut M12	T形螺帽	4	
24	56303D00012024045	Flat Washer M12	平墊圈	4	
25	56303A00012	Spring Washer M12	彈簧墊圈	4	
26	56301A0012050	Hex Bolt M12X50	六角承窩頭螺栓	4	
27	56301C0012025	Set Screw M12X25	止付內六角螺栓	4	
28	56302B0112	Nut M12	六角螺帽	4	
29	211601007B	Mounting Table	剪角座固定板	1	
30	211601005A	Clamping Shaft	剪角座固定軸	1	
31	56301A0020065	Hex Bolt M20X65	六角承窩頭螺栓	1	
32	211601008A	Main Slide Guide Plate (1)	基準塊(一)	1	
33	211601012A	Main Slide Guide Plate (2)	基準塊(二)	1	

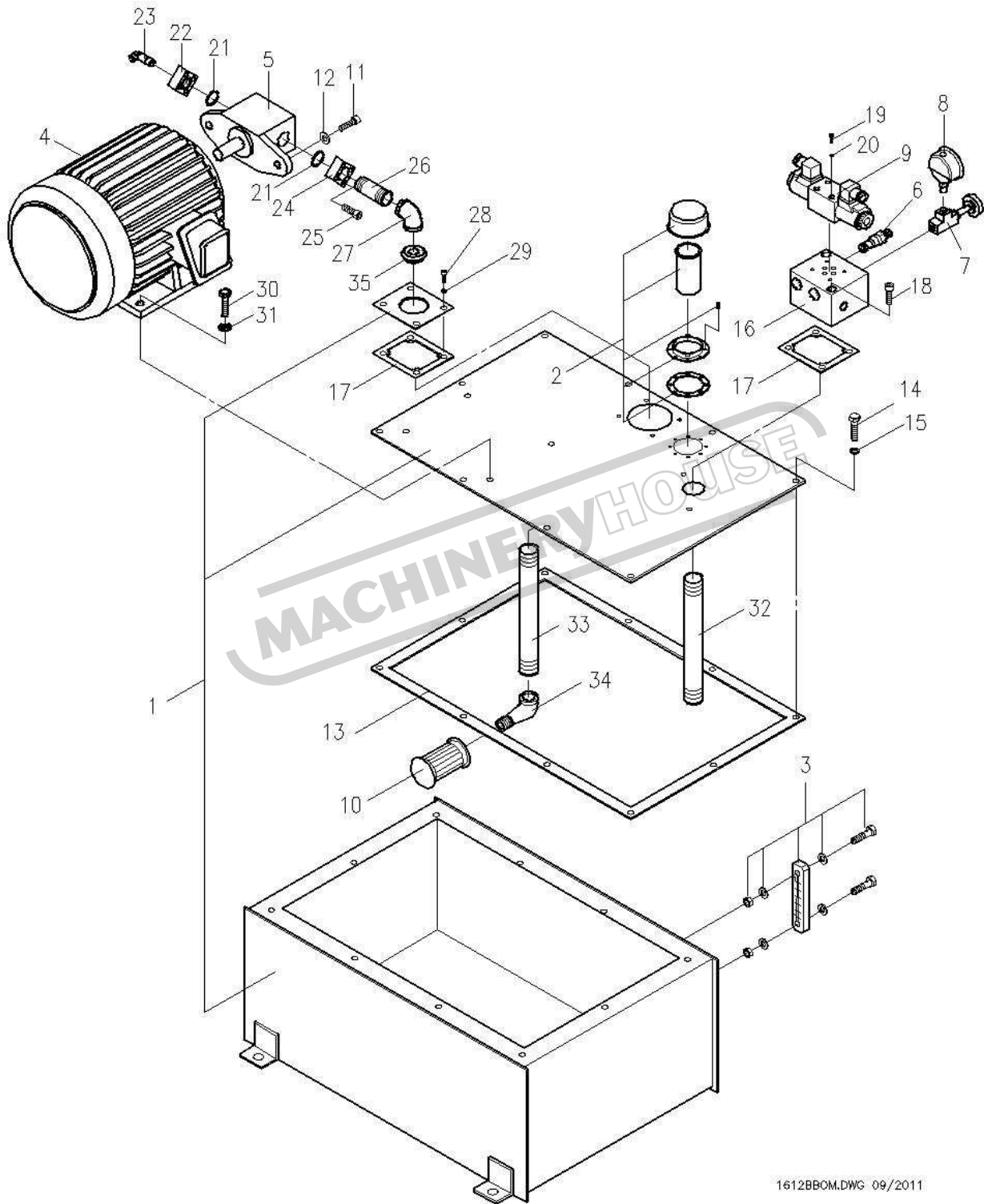
IW-45K,60K Limit Switch Adjustment



IW-45K Cylinder Assembly



Hydraulic Components for IW-45K



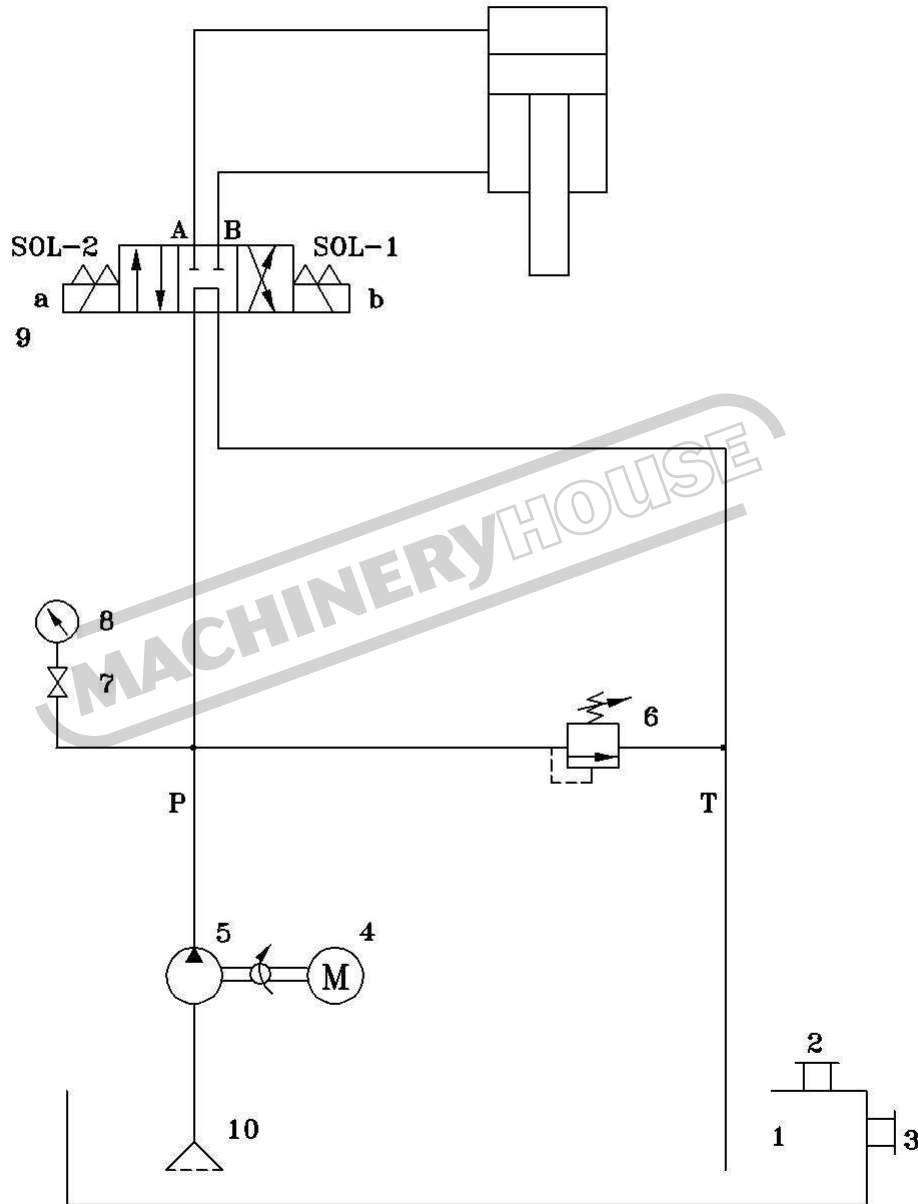
Sunrise Ironworker Parts List

Model: **IW-45K** Part: **Hydraulic Components Assembly** Date: 02/2012

Item	Part Number		Description	產品名稱	Q'ty	Memo
1	211602910B	211602010D 211602047B 211602048A	Oil Tank	油箱	1	
2	53702HY08A		Breather & Filler	注油器	1	
3	53701LG4		Oil Level Gauge	油面計	1	
4	5HP 50Hz	380V : 52301050JN 400V : 52301050JN 415V : 52301050JN	Motor	馬達	1	
	5HP 60Hz	220V : 52301050FG 230V : 52301050FG 380V : 52301050FG 460V : 52301050FG 575V : 52301050BD				
	5HP 60Hz	220V : 52303050LK 380V : 52303050LK	Motor (Standard For Taiwan)	馬達	1	
5	50Hz.: 53201ALP2AS16E 60Hz.: 53201ALP2AS13E		Pump	泵浦	1	
6	53656RPECFAN		Relief Valve	洩壓閥	1	
7	53652ST02L		Gauge Cock	考克	1	
8	53621CBLM63350		Pressure Gauge	壓力錶	1	
9	53651DFA02005		Solenoid Valve	電磁閥	1	
10	53301MF086		Suction Filter	濾油網	1	
11	56301A0010030		Hex Bolt M10X30	六角承窩頭螺栓	2	
12	56303A00010		Spring Washer M10	彈簧墊圈	2	
13	211603007		Oil Tank Cover Seal	油箱油封	1	
14	56301D0008025		Bolt M8X25	六角頭螺栓	10	
15	56303A00008		Spring Washer M8	彈簧墊圈	10	
16	211603003A		Manifold Block	油路板	1	
17	211603005		Packing	橡膠油封	2	
18	56301A0008065		Hex Bolt M8X65	六角承窩頭螺栓	2	
19	56301A0005040		Hex Bolt M5X40	六角承窩頭螺栓	4	
20	56303A00005		Spring Washer M5	彈簧墊圈	4	

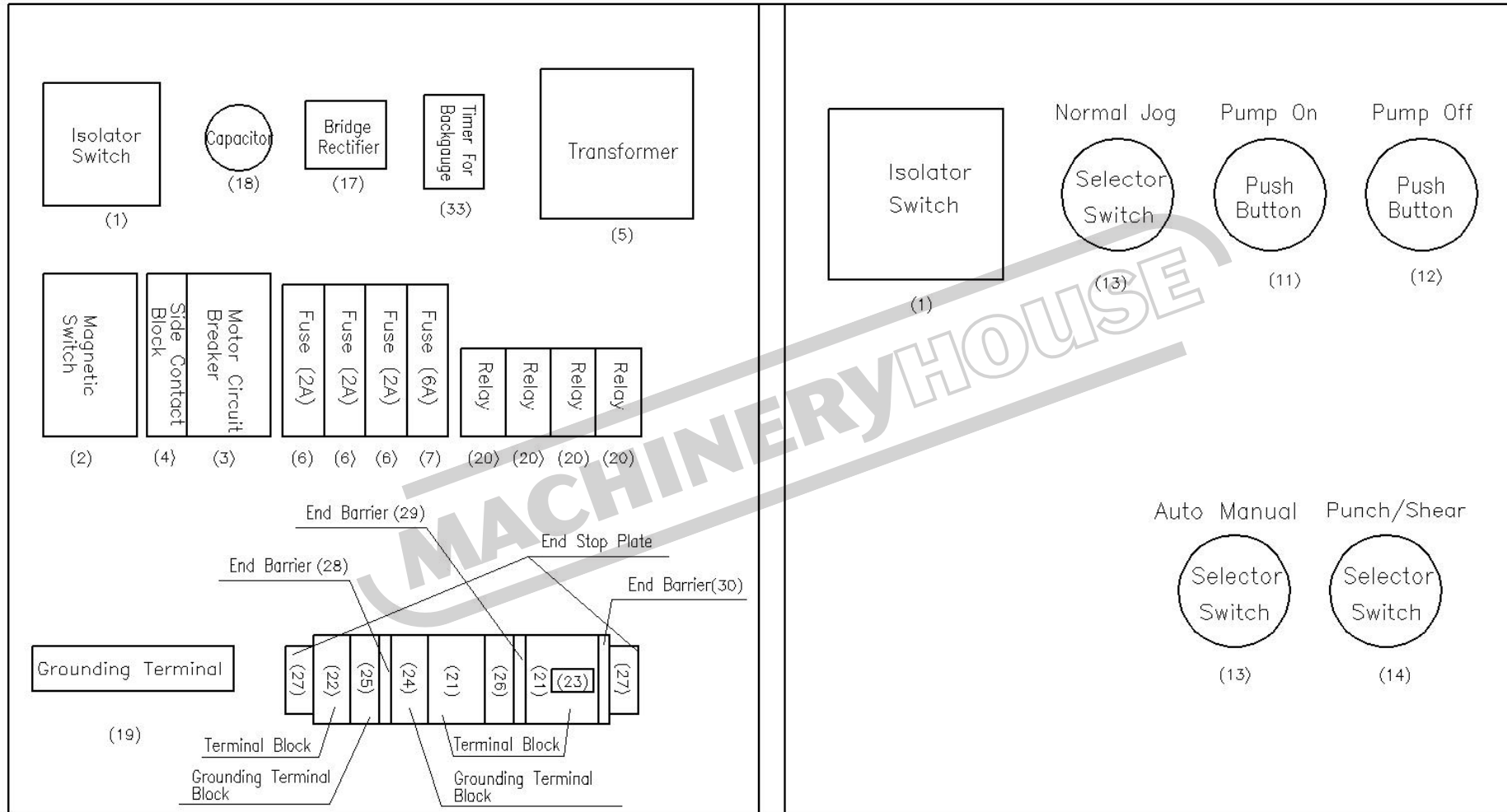
Hydraulic Circuit

IW-45K



ELECTRIC PANEL DIAGRAM

IW-45K,60K MODELS with ELECTRIC BACKGAUGE



IW-45K ELECTRICAL PARTS (CE)

With Electrical Backgauge

	Part Number	Code	Name	Manufacturer	Q'ty		Memo
1	220V : 52407OT25F3 230V : 52407OT25F3 380V : 52407OT16F3 415V : 52407OT16F3 460V : 52407OT25F3 575V : 52407OT16F3	QS	Isolator Switch	ABB Control OY	1	電源開關	
2	220V : 52401LC1D18B7 230V : 52401LC1D18B7 380V : 52401LC1D12B7 415V : 52401LC1D12B7 460V : 52401LC1D18B7 575V : 52401LC1D09B7	KM	Magnetic Switch	TE	1	電磁接觸器	
3	220V : 52402GV2ME20 230V : 52402GV2ME20 380V : 52402GV2ME14 415V : 52402GV2ME14 460V : 52402GV2ME14 575V : 52402GV2ME10	QF	Motor Circuit Breaker	TE	1	馬達啓動斷路器	
4	52419GVAN11		Side Contact Block	TE	1	輔助接點	
5	220V : 524032201510 230V : 524035751520 380V : 524032201510 415V : 524032201510 460V : 524035751520 575V : 524035751520	TR	Transformer	SUENN LIANG	1	變壓器	
6	52801A02A	FU1, FU2, FU4	Fuse	Bussmann	3	保險絲	
7	52801A06A	FU3	Fuse	Bussmann	1	保險絲	
8	52801CFBSCHM1D		Fuse Base	Bussmann	4	保險絲座	

	Part Number	Code	Name	Manufacturer	Q'ty	產品名稱	Memo
9	52421XB5AS542	SB1	Emergency Stop Button	TE	1	緊急停止	
10	52413YC135D	FS	Foot Switch	SSUPOU	1	腳踏開關	
11	52420XB5AW3361	SB3	Pump ON Push Button	TE	1	綠色罩光按鈕	
12	52407XB5AL42	SB2	Pump OFF Push Button	TE	1	泵浦停止	
13	52415ZB5AD2	SA1,SA3	Selector Switch	TE	2	選擇開關	
14	52415ZB5AG2	SA2	Selector Switch	TE	1	選擇開關	
15	52419ZBE101		Normal Open Contact	TE	2	選擇 A 接點	
16	52419ZBE102		Normal Close Contact	TE	1	選擇 B 接點	
17	52202KBPC2506		Bridge Rectifier	FY	1	橋式整流器	
18	522034700UF50V	C	Capacitor	廣華 (Kuan Hua)	1	電容器	
19	527026P		Grounding Terminal	Wago	1	接地端子台	
20	52404RMIA2YF08AE	KA1~KA4	Relay	Carlo Gavazzi	4	繼電器	
21	52702280901		Terminal Block	Wago	26	端子匣	
22	52702282901		Terminal Block	Wago	3	端子匣	
23	52702280402		Jumper Bar	Wago	4	短路片	
24	52702280907		Grounding Terminal Block	Wago	1	接地端子匣	
25	52702282907		Grounding Terminal Block	Wago	1	接地端子匣	
26	52702280681		Terminal Block	Wago	1	端子匣	
27	52702249117		End Stop Plate	Wago	2	擋片	
28	52702282325		End Barrier	Wago	1	端板	
29	52702280324		End Barrier	Wago	1	端板	
30	52702280308		End Barrier	Wago	1	端板	
31	52702261301		Terminal Block	Wago	2	端子匣	

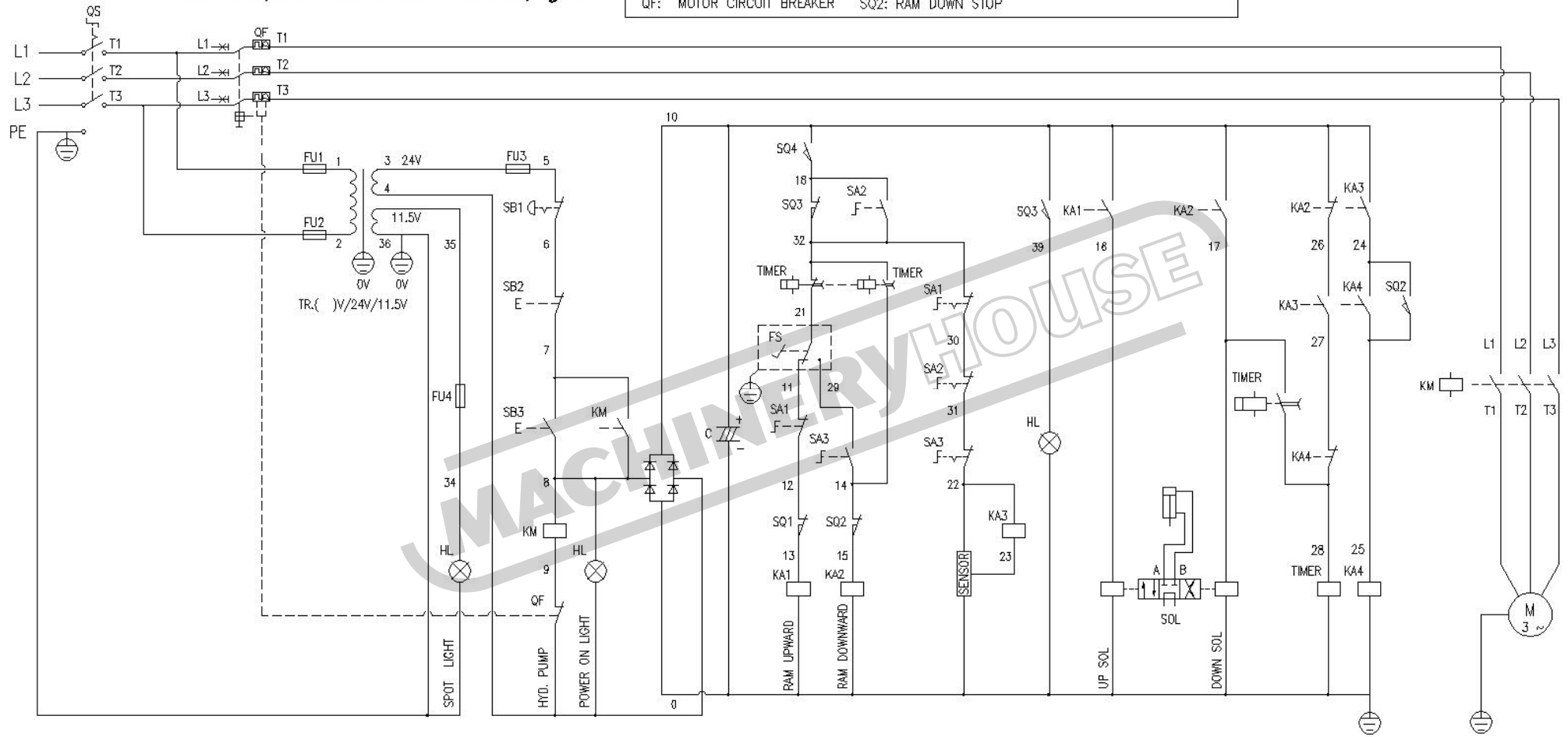
	Part Number	Code	Name	Manufacturer	Q'ty	產品名稱	Memo
32	52702261361		End Barrier	Wago	1	端板	
33	52405H3M1	TIMER	Timer for Backgauge	Fotek	1	計時器	
34	56294202504		4 Pin Connector For Backgauge	PLT	1	金屬接頭	
35	524092IA12DSN04	SENSOR	Proximity Sensor for Backgauge	CARLO	1	近接開關	
36	52411XCKN2118G11	SQ1, SQ2	Limit Switch for Stroke Adjustment	TE	2	微動開關	
37	52411TZ7311	SQ4	Limit Switch for Notcher	Tend	1	剪角微動開關	
38	52411TZ7312	SQ3	Limit Switch for Stripper	Tend	1	剝料微動開關	
39	52811AL201WTG23012	HL	Halogen Lamp	ARC	1	石英燈	

MACHINERYHOUSE

Electrical Circuit (CE)

IW-45K,60K model with sensor,light

- | | | |
|---------------------------|--------------------|-----------------------------|
| SB1: EMERGENCY STOP | SA1: NORMAL/JOG | SQ3: NOTCH SAFETY INTERLOCK |
| SB2: PUMP OFF | SA2: PUNCH/SHEAR | SQ4: PUNCH SAFETY INTERLOCK |
| SB3: PUMP ON | SA3: AUTO/MANU | |
| FS: FOOT SWITCH | SQ1: RAM UP STOP | |
| QF: MOTOR CIRCUIT BREAKER | SQ2: RAM DOWN STOP | |



L1	L2	L3	PE	G	21	11	29	5	6	12	13	14	15	24	25	18	32	39	39	10	18	16	17	0	0	0	22	23	34	36	
POWER	SOURCE				FS	SB1	SQ1	SQ2	SQ3	SQ4	SOL	SENSOR	LAMP																		